

COPPER PRESS FIT FITTINGS (M PROFILE)

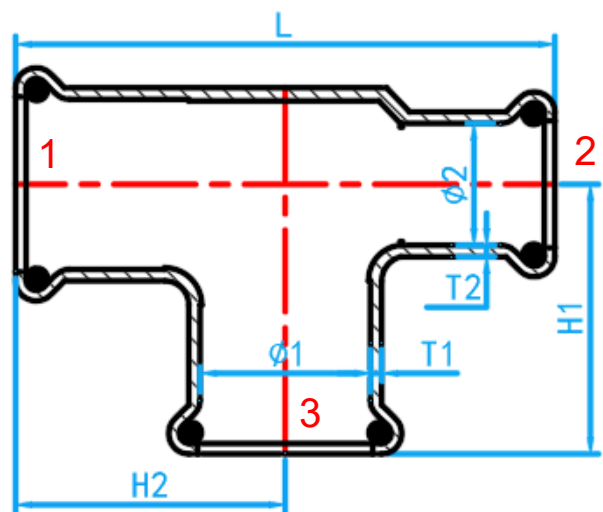
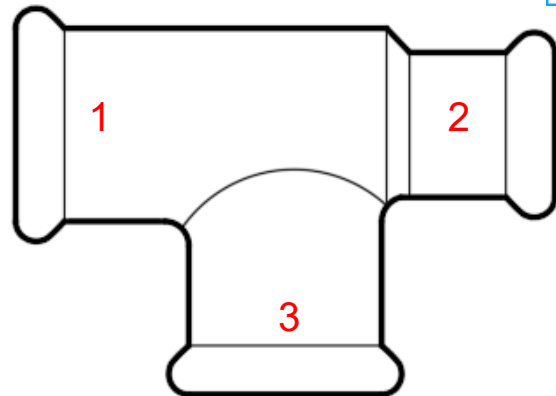
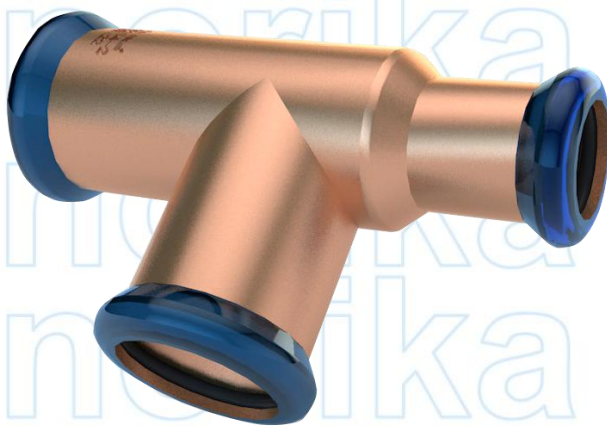


A Product of the nPressGuard[®] Solution

COMPLY WITH BSEN1254-2: 1998



REDUCING TEE



CROSS SECTIONAL VIEW

DIMENSIONS									
SKU	Ø1 (mm)	Ø2 (mm)	H1 (mm)	H2 (mm)	L [mm]	T1 [mm]	T2 [mm]	WEIGHT (Kg)	PCS/CTN
PFNRT0201520	22	15	38.4	37.0	83.9	1.5	1.5	0.121	100